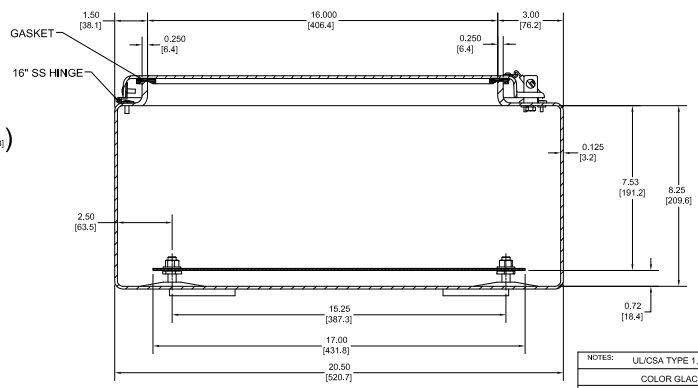
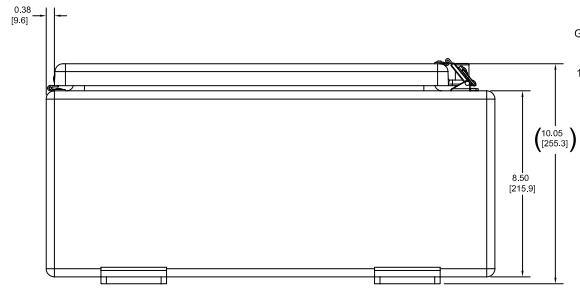


**SECTION B-B**



**SECTION A-A**

|  |                 |             |                 |   |                      |
|--|-----------------|-------------|-----------------|---|----------------------|
| NOTES: UL/CSA TYPE 1, 3, 3R, 4X, 12<br>COLOR GLACIER GR RYR013   |                 |             |                 | ALL DIMENSIONS ARE INCHES (MILLIMETERS) UNLESS SPECIFIED<br>TOLERANCES UNLESS SPECIFIED .XX ± 0.03(0.79) .XXX ± 0.010(0.25) |                      |
| MATERIAL: FR POLYESTER FIBERGLASS  |                 | DR. BY: CHD | DATE: 9/18/2008 | BELDING, MICHIGAN 48809   |                      |
| LT#  | REVISION RECORD | DATE        | BY              |   |                      |
| -  | -               | -           | -               | CR. BY: CHD   | DATE:                |
| -  | -               | -           | -               | APD. BY:  | DATE:                |
| -  | -               | -           | -               | SCALE: DO NOT SCALE   | PART NAME: ENCLOSURE |
| THESE DRAWINGS AND THE INFORMATION HEREON ARE OUR PROPERTY AND MAY BE USED BY OTHERS ONLY AS AUTHORIZED BY STAHLIN ENCLOSURES. REVISION OF DRAWING INDUSTRIES ALL RIGHTS RESERVED. UNDER THE COPYRIGHT LAWS. |                 |             |                 | PART NO.: N20208  | SHIT 1 OF 2          |